

Service Document

RRCD 3720 DEC

GDS0900

GRUNDIG

**Service
Manual**

Sicherheit
Safety

Materialnr./Part No.
720108000001



Es gelten die Vorschriften und Sicherheitshinweise gemäß dem Service Manual „Sicherheit“, Materialnummer 720108000001, sowie zusätzlich die eventuell abweichenden, landesspezifischen Vorschriften!



The regulations and safety instructions shall be valid as provided by the „Safety“ Service Manual, part number 720108000001, as well as the respective national deviations.

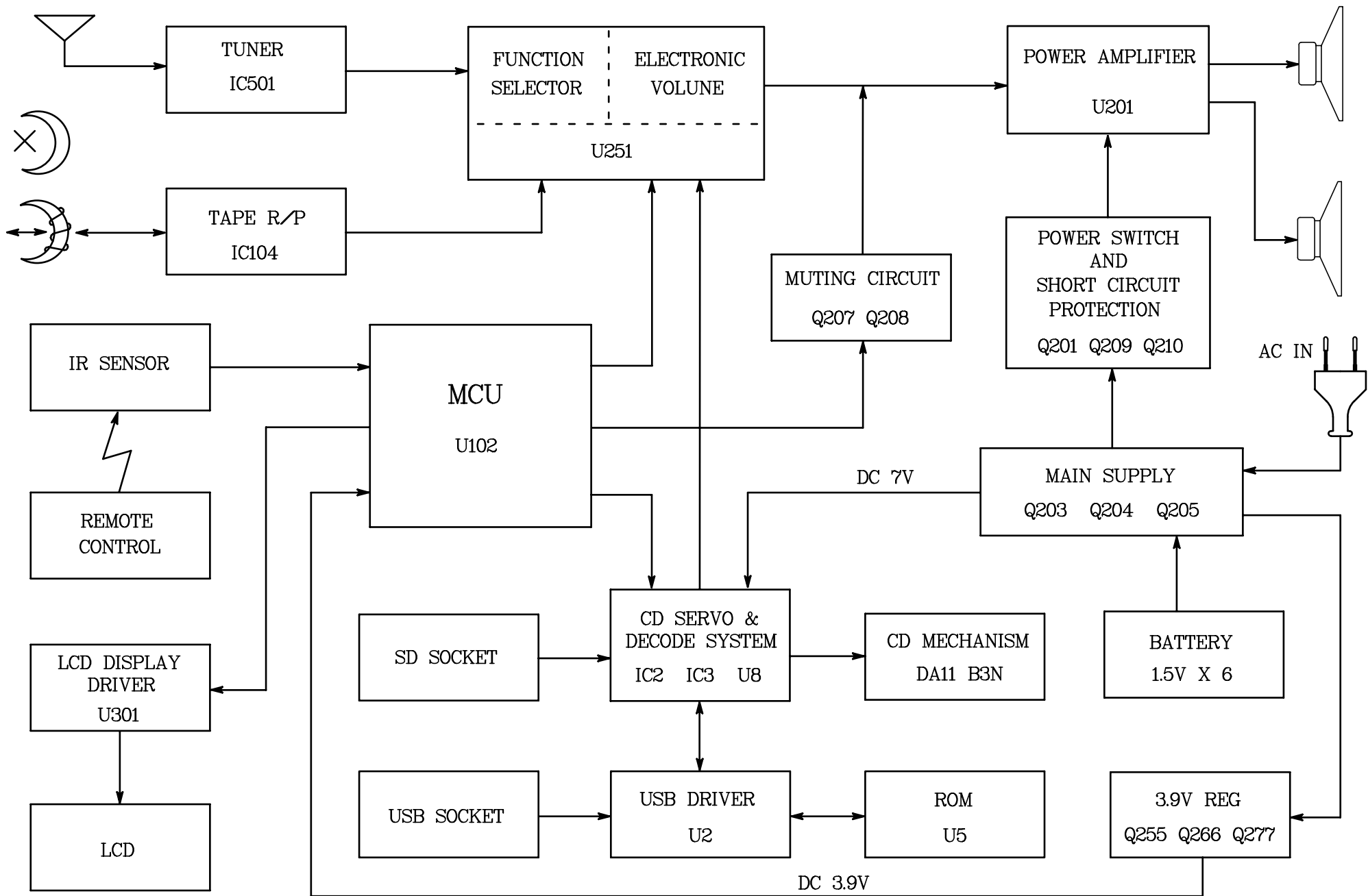
Dieses Service Dokument ist nur in Datenform verfügbar

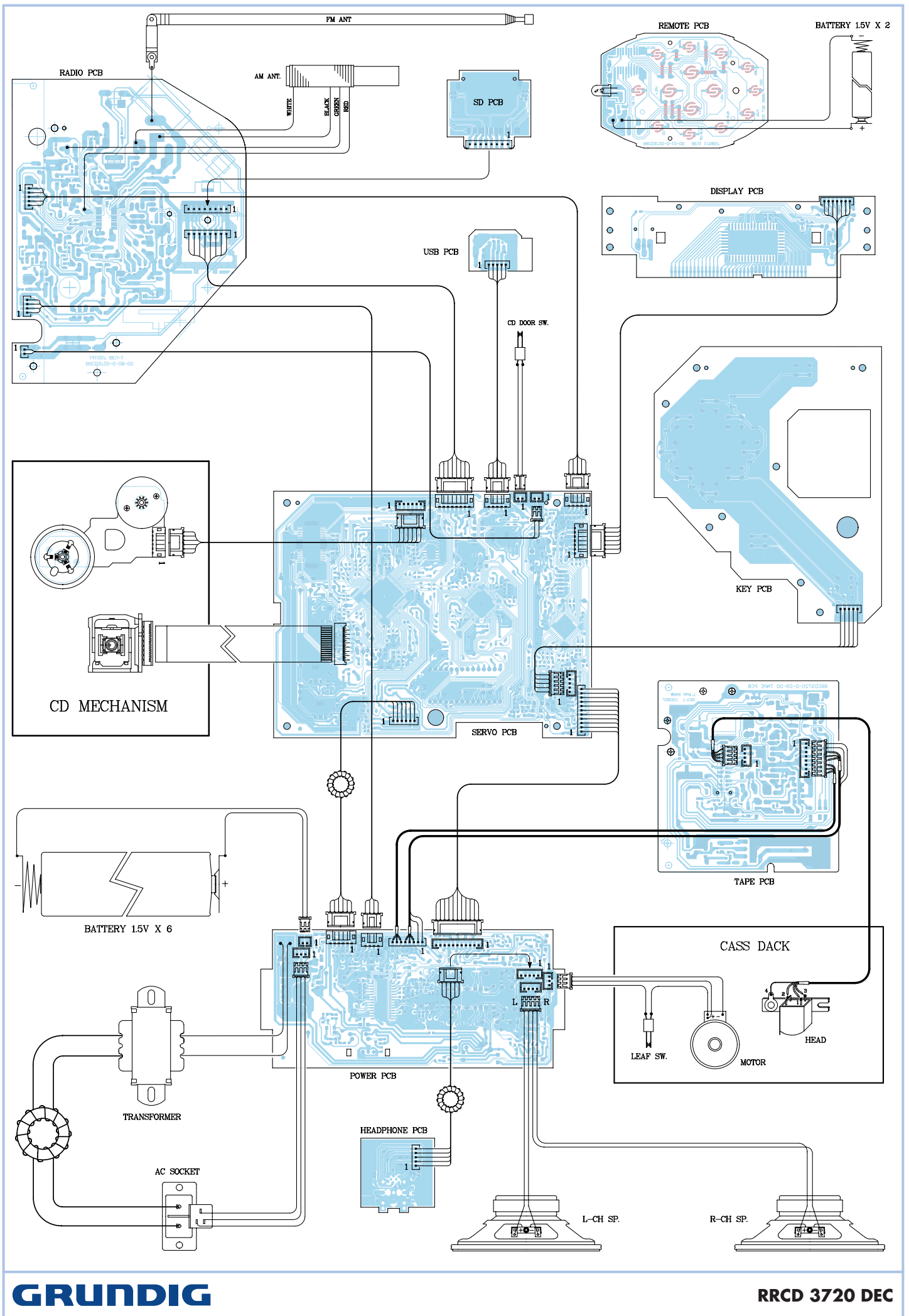
This Service Document is only available as data

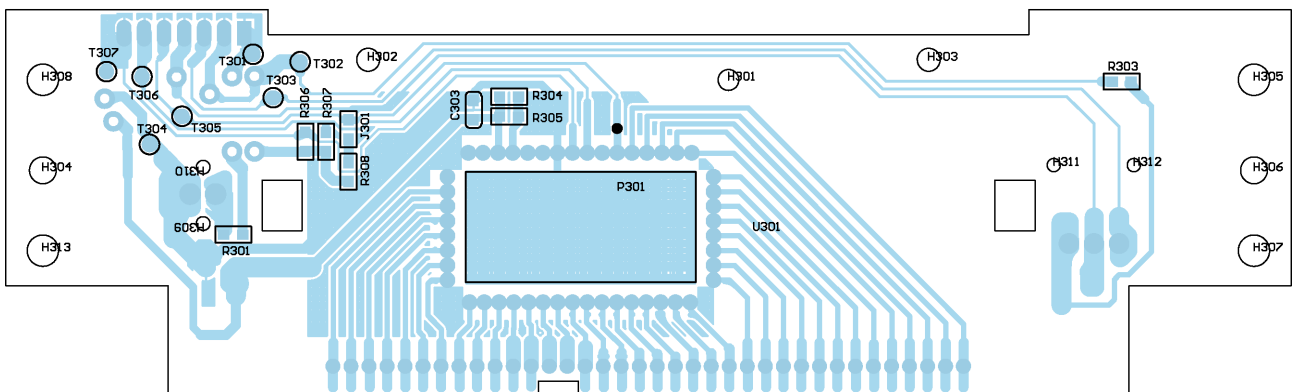
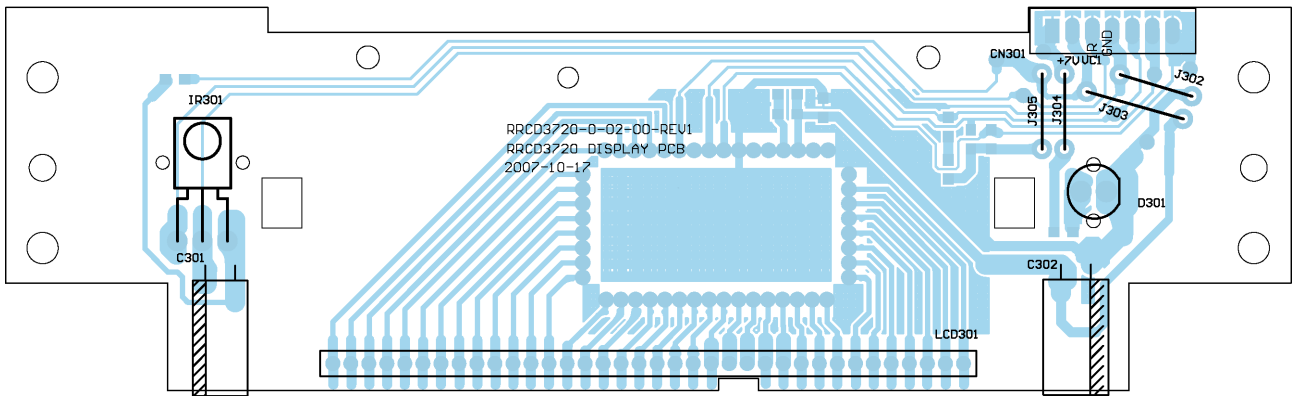
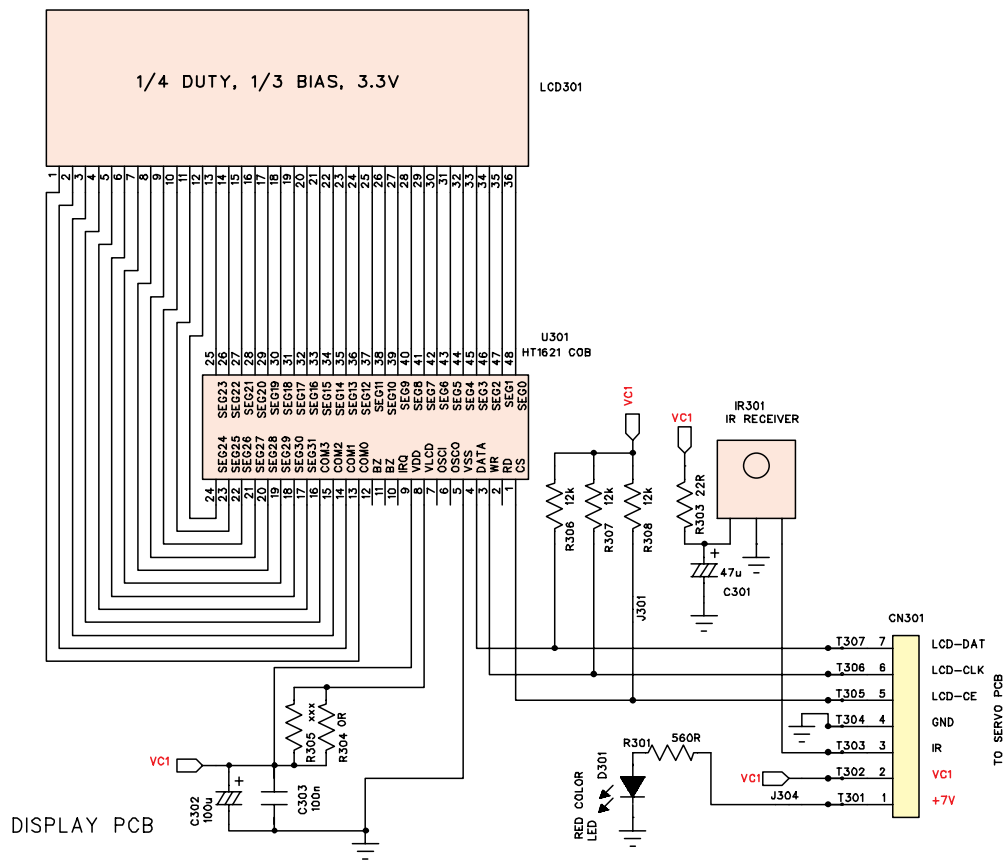
Änderungen vorbehalten/Subject to alteration

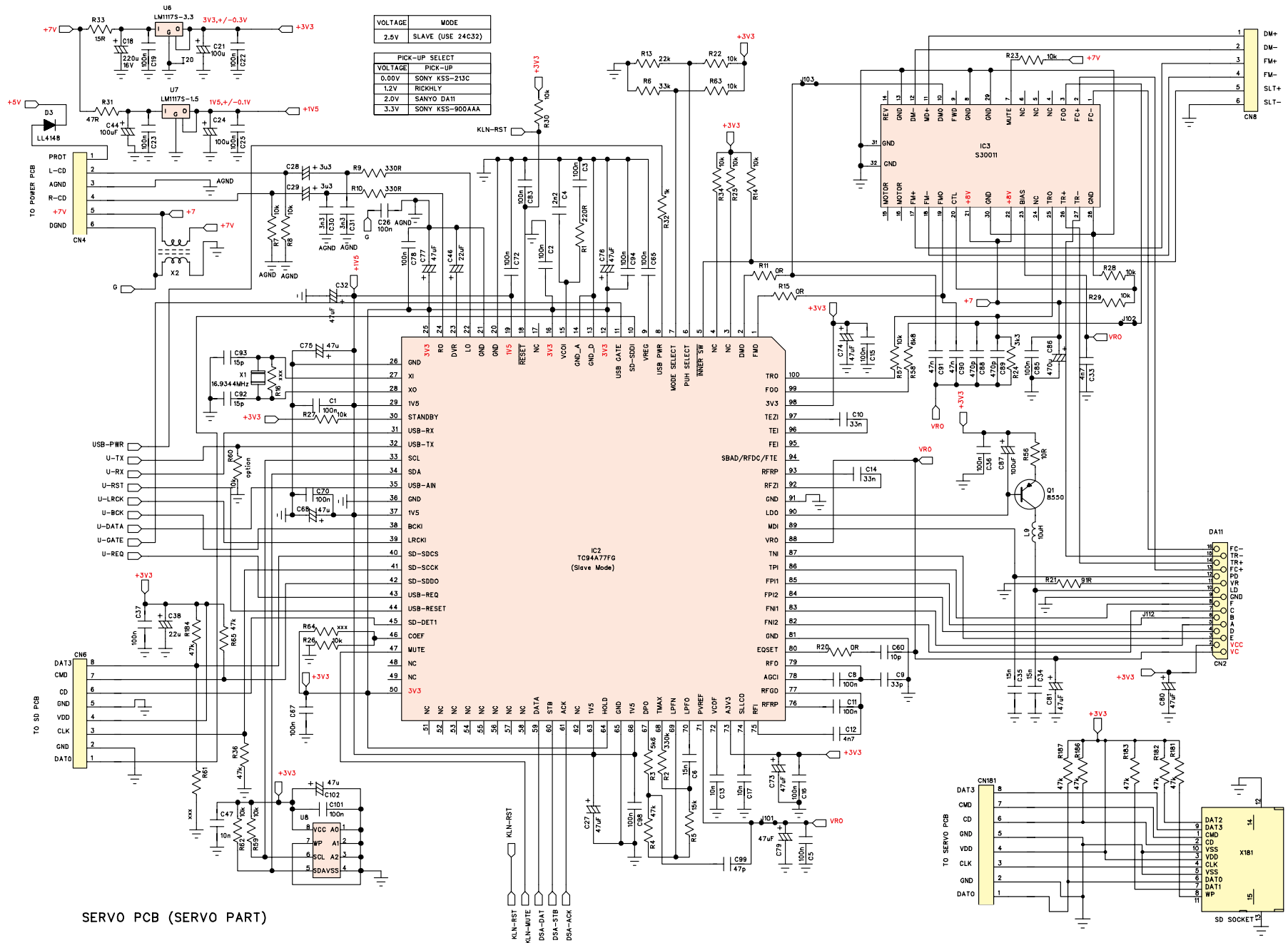
Made by GRUNDIG in Germany • TCC 0208 HH

<http://www.grundig.com>

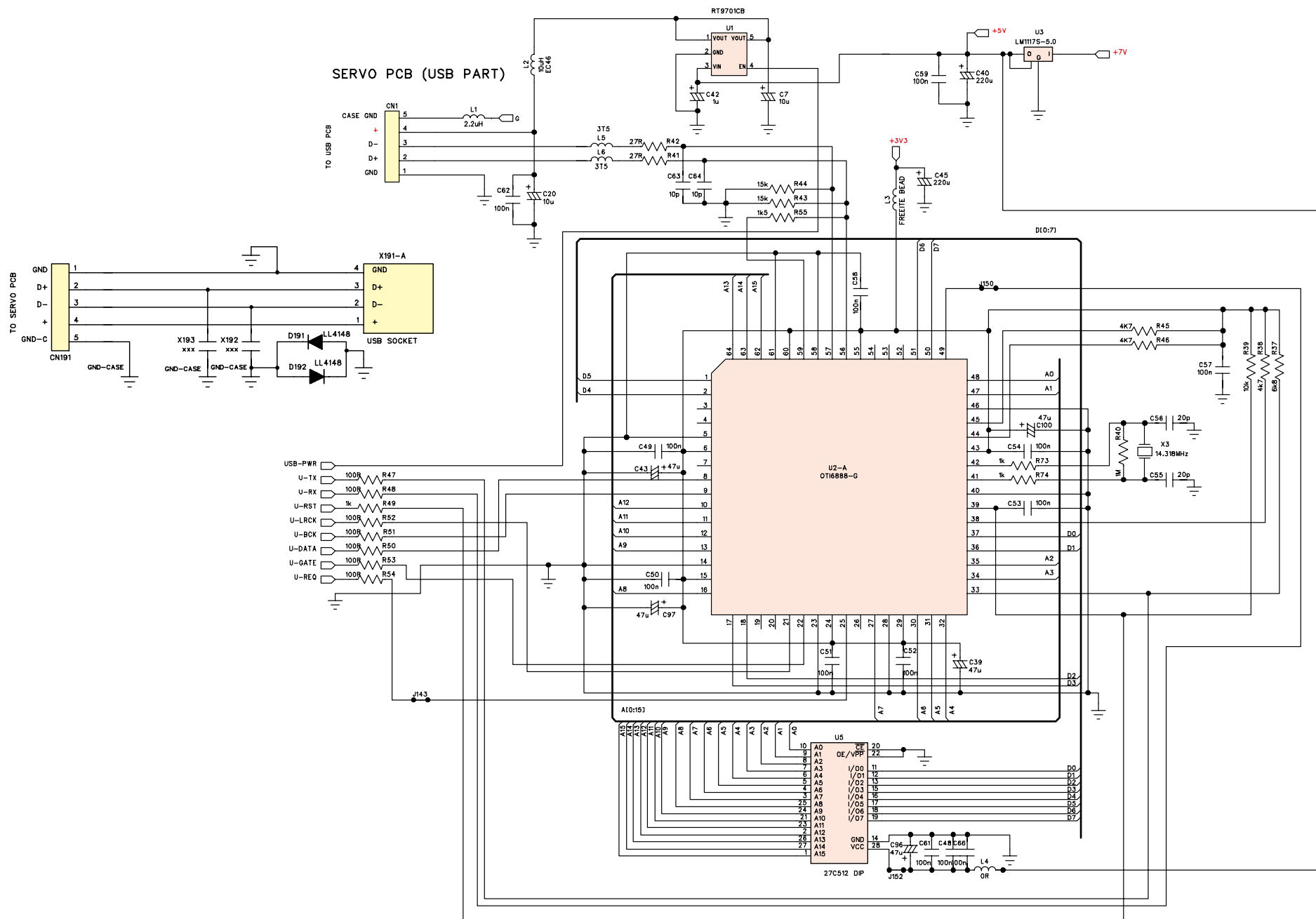


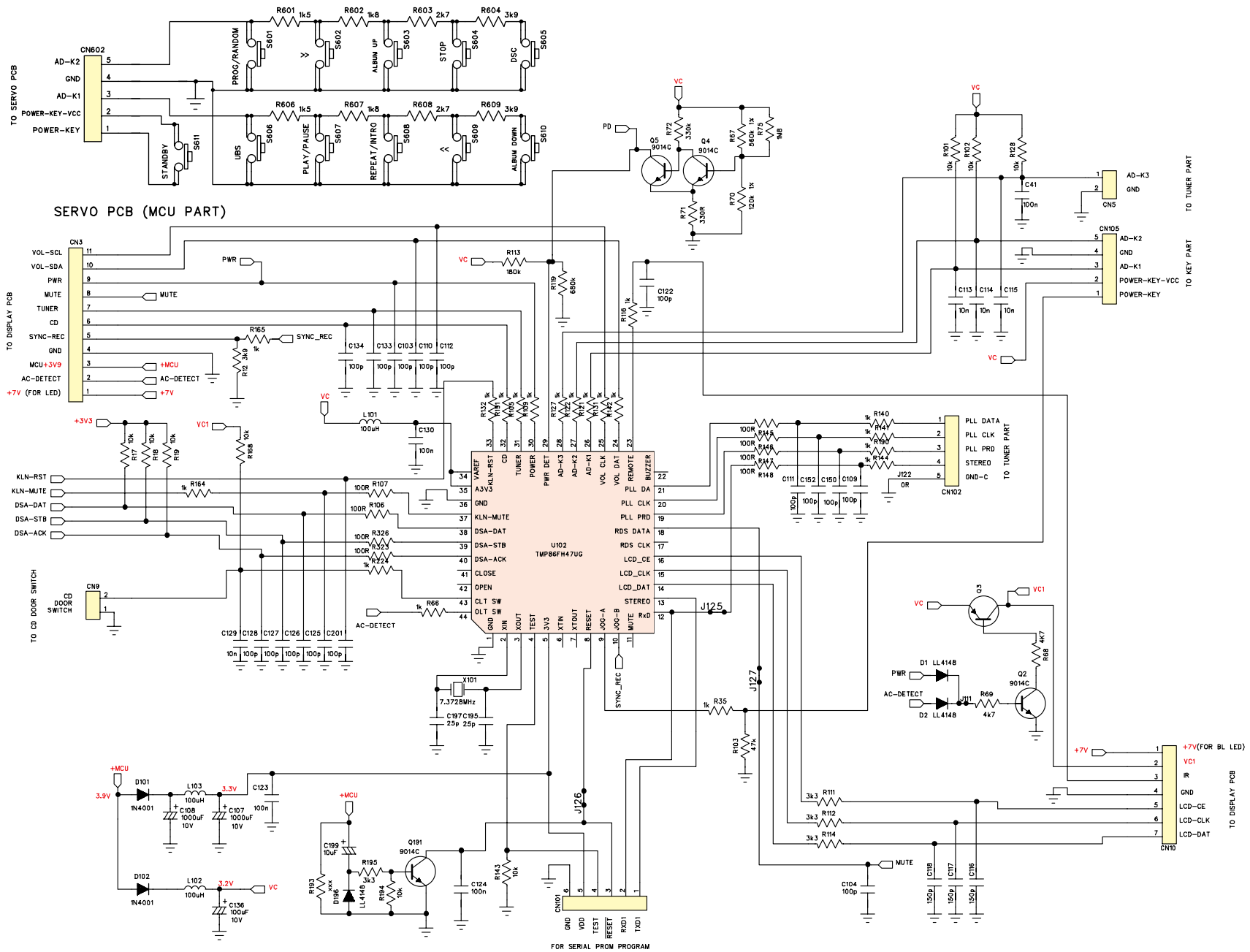


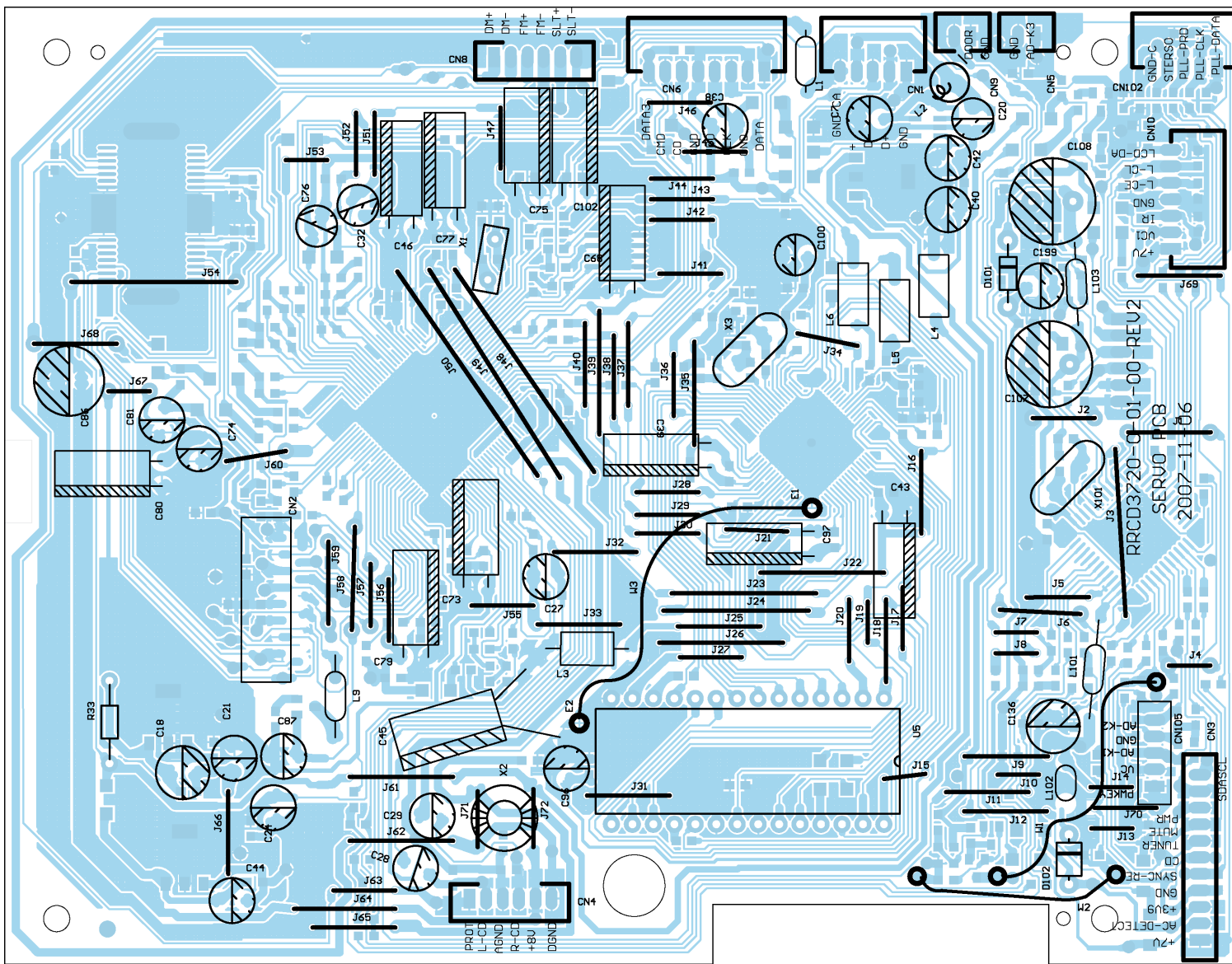




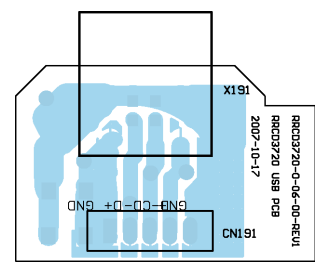
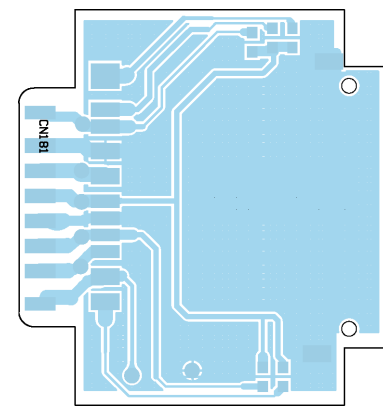
SERVO PCB (SERVO PART)

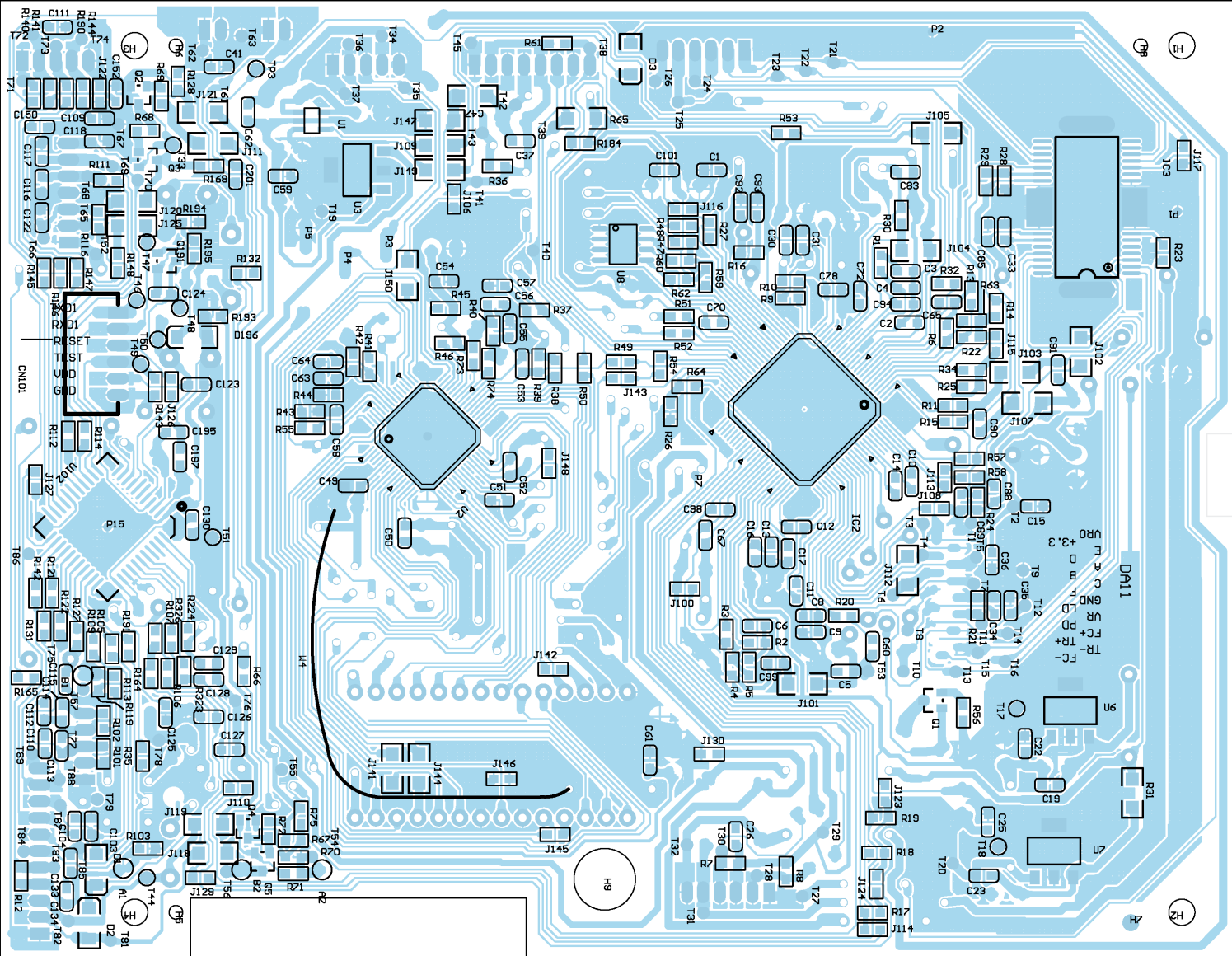
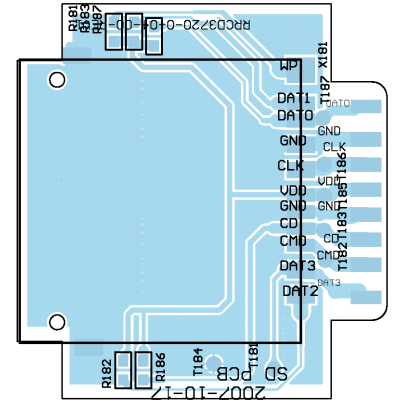
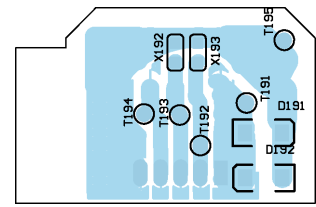


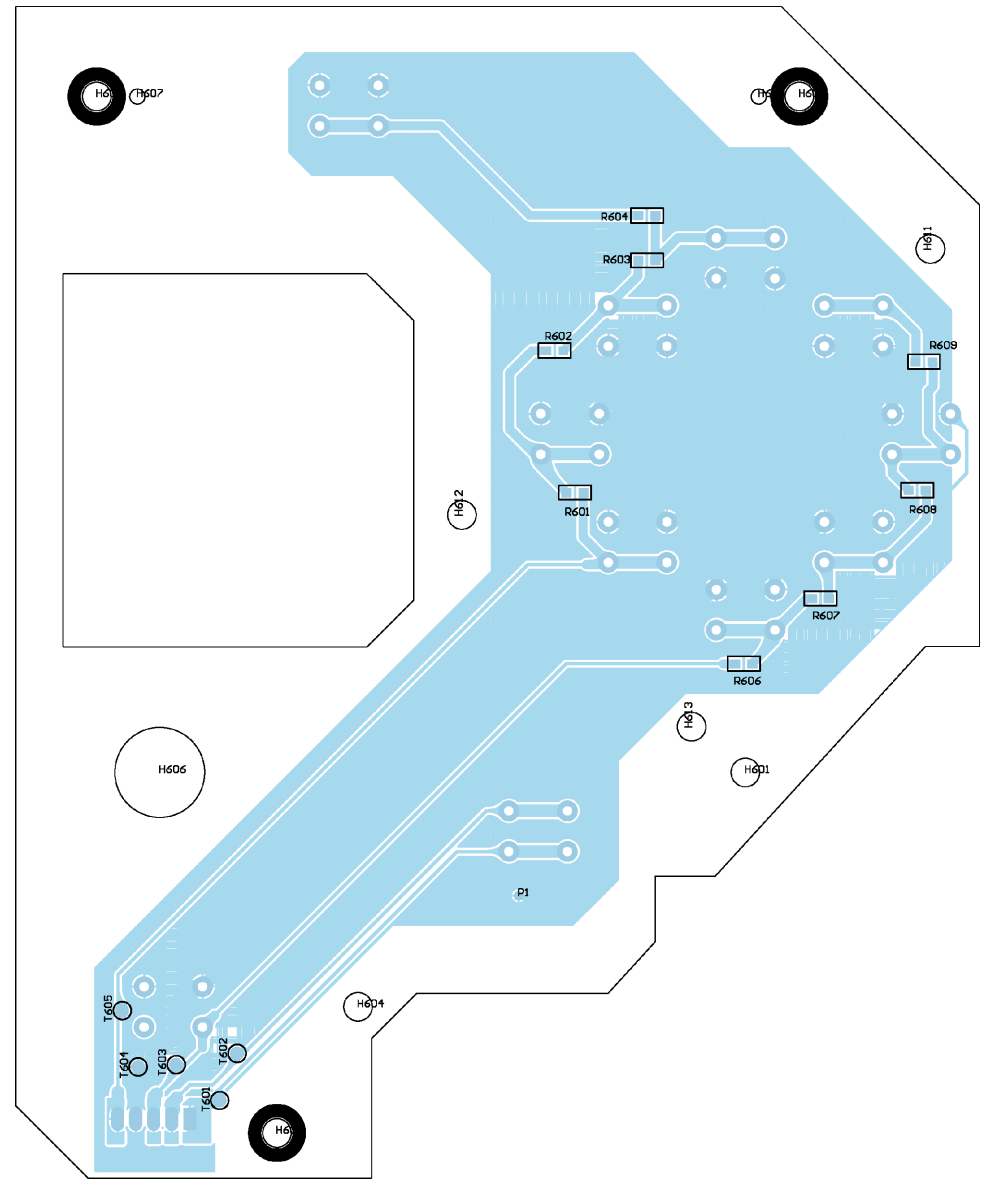
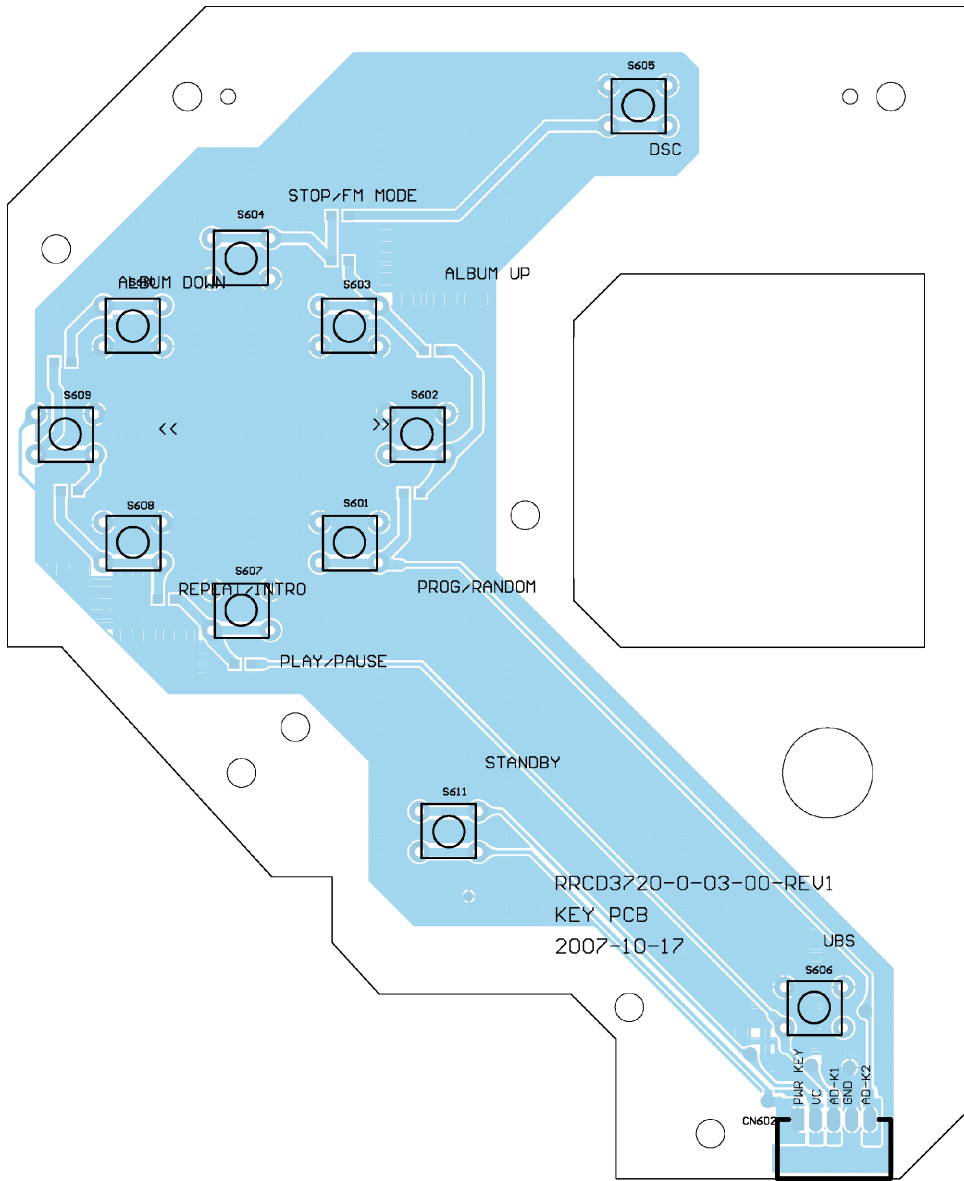


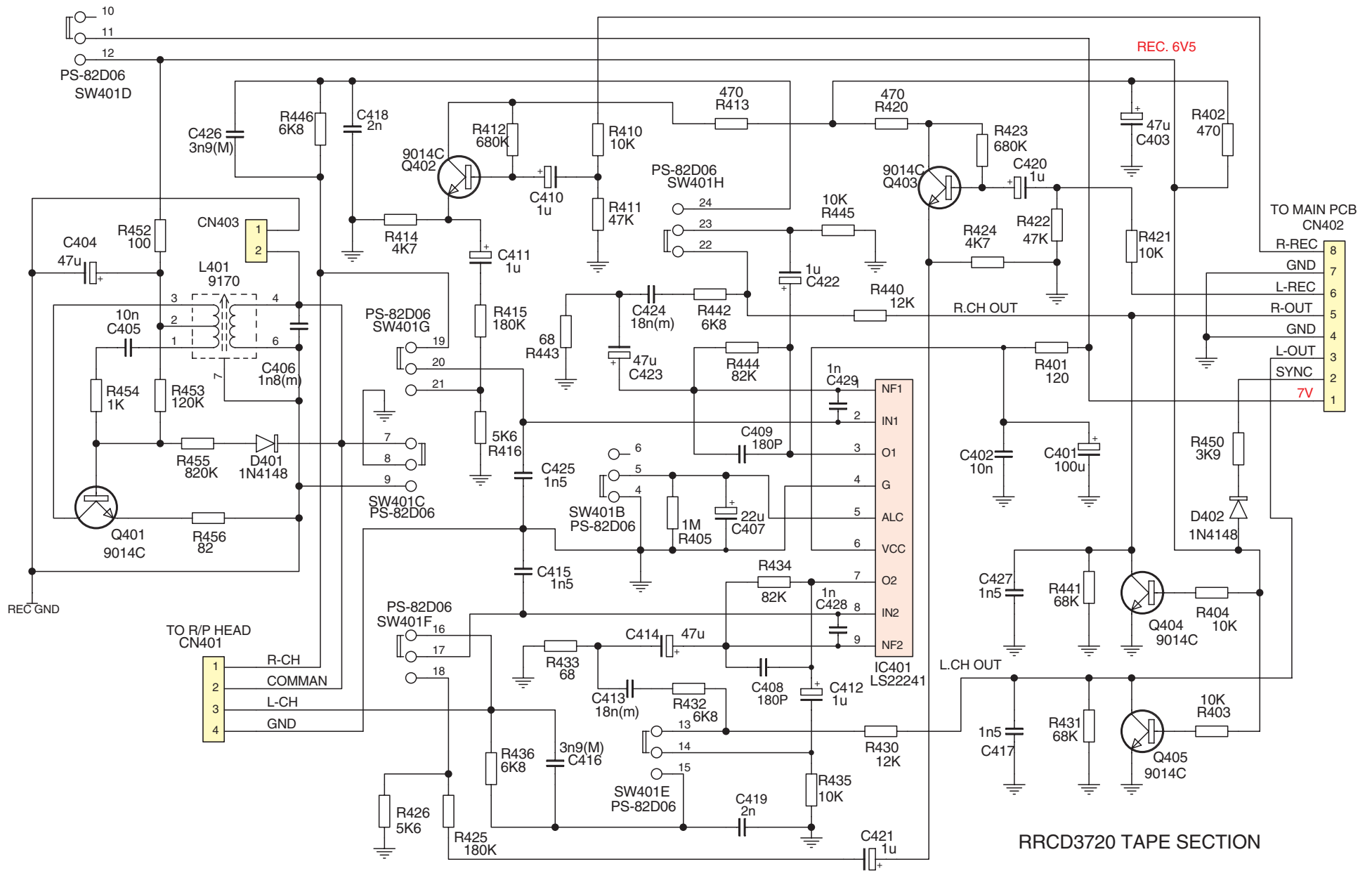


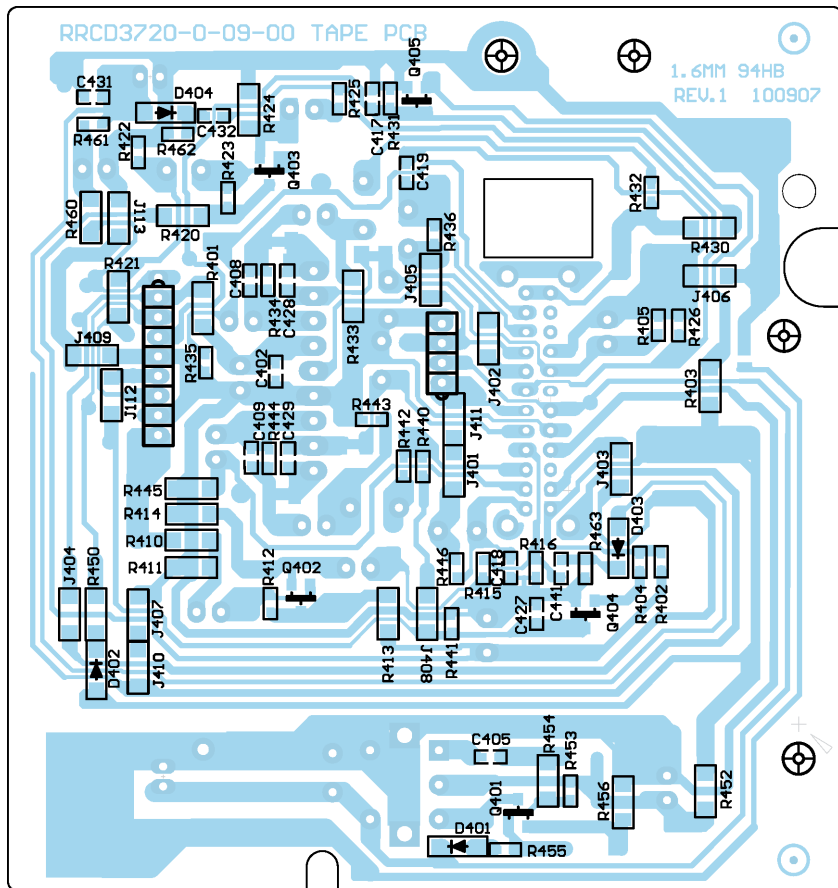
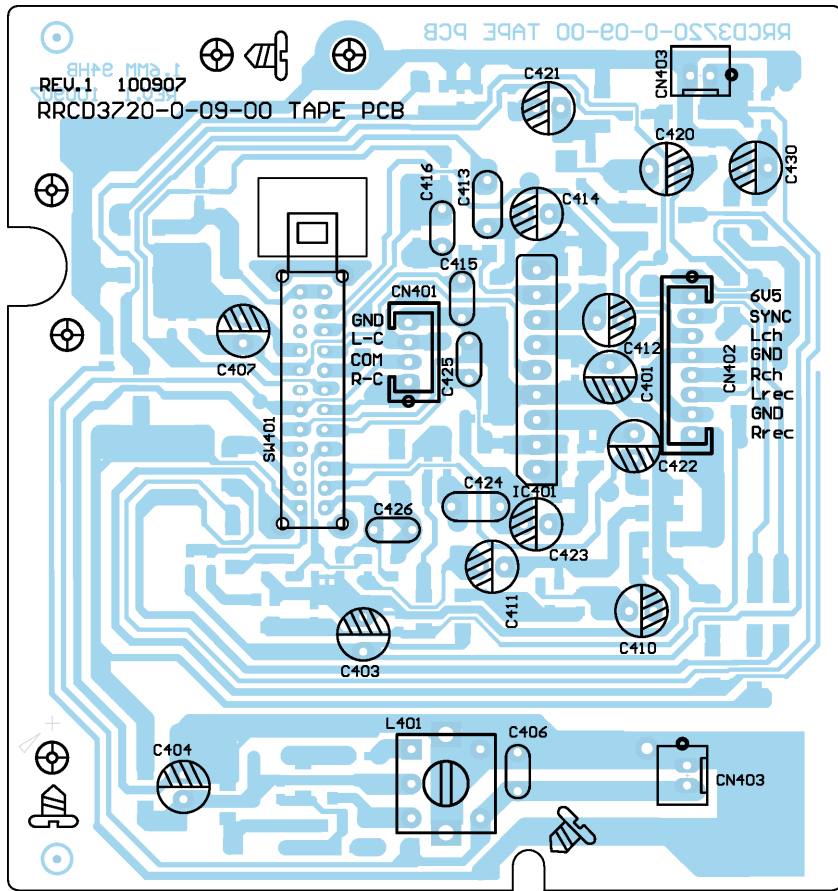
RRC3720-0-01-00-REV2
SERVO PCB
2007-11-06

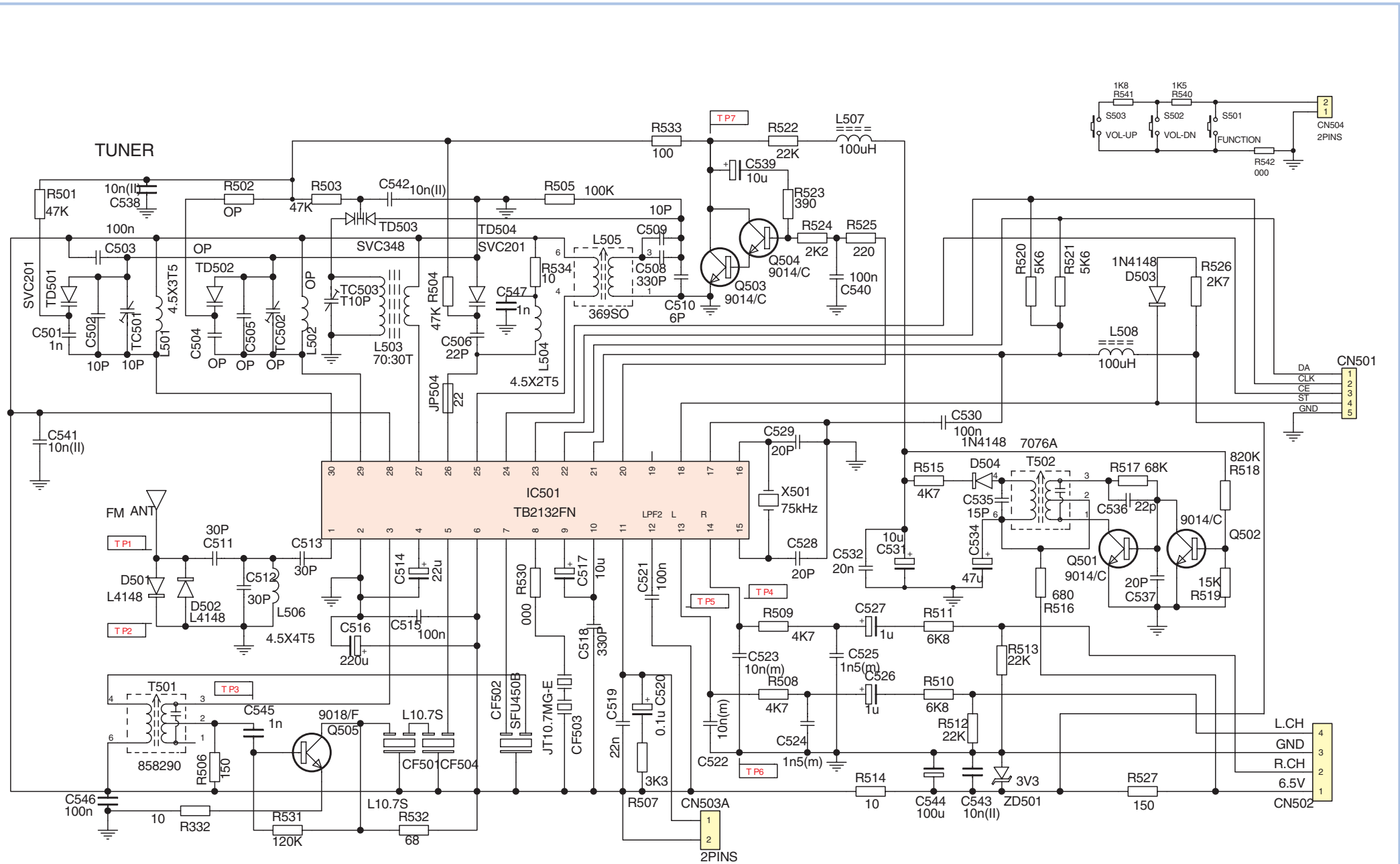












00-RRCD3720-0-08-00
161007 REV-1

FUNCTION
S501

CN504
KEY
GND

Lucky LG 01 94HB

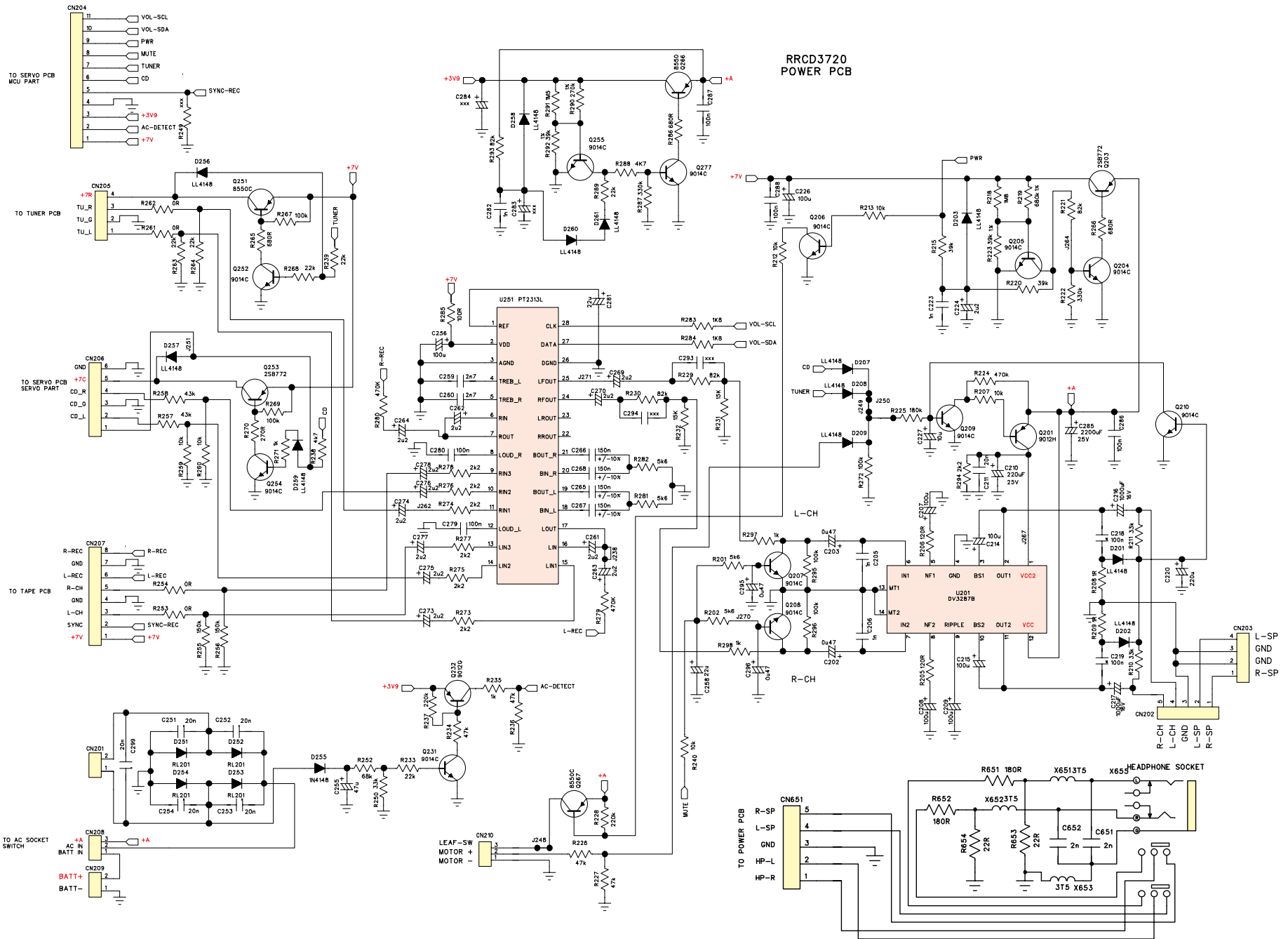
6.5V
R-CH
GND
L-CH
CN502

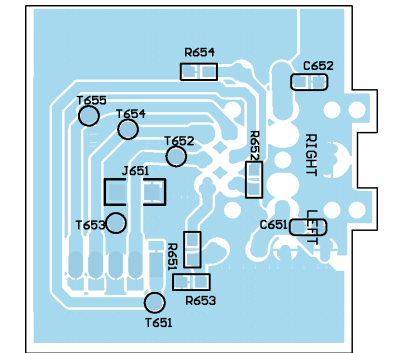
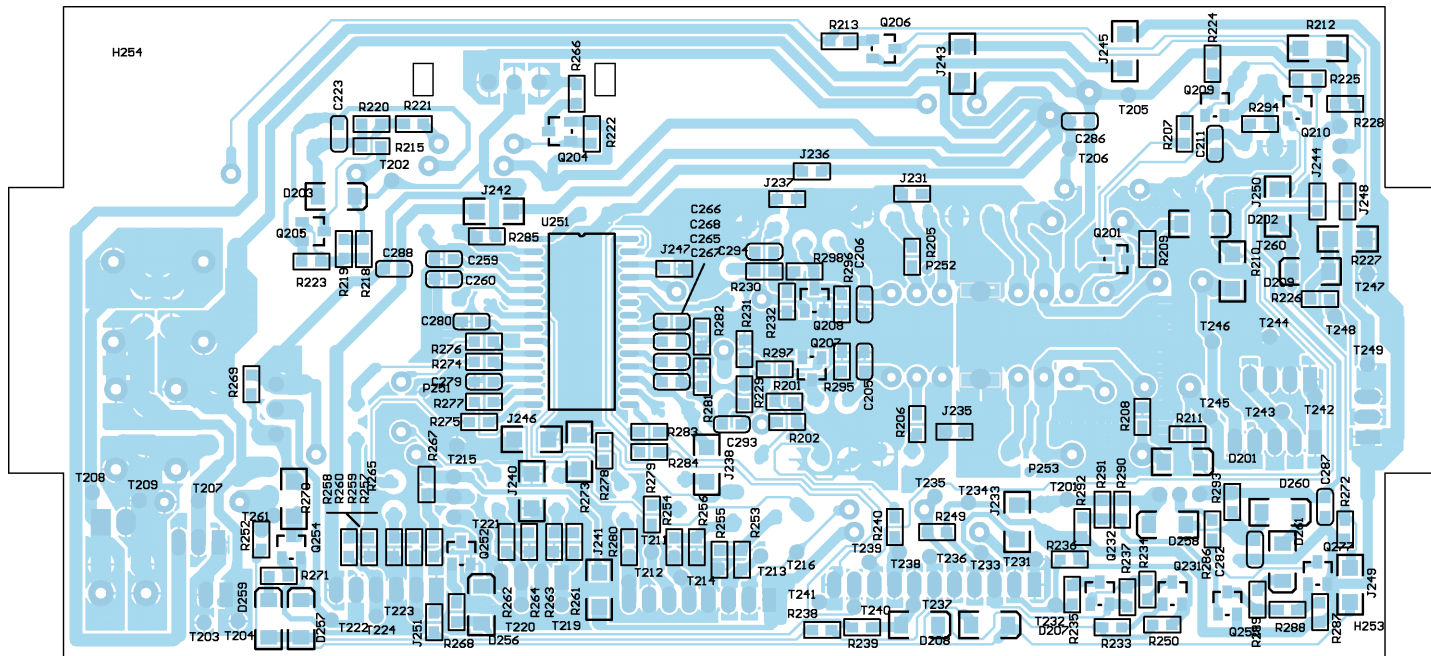
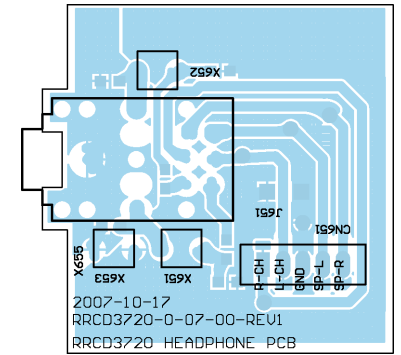
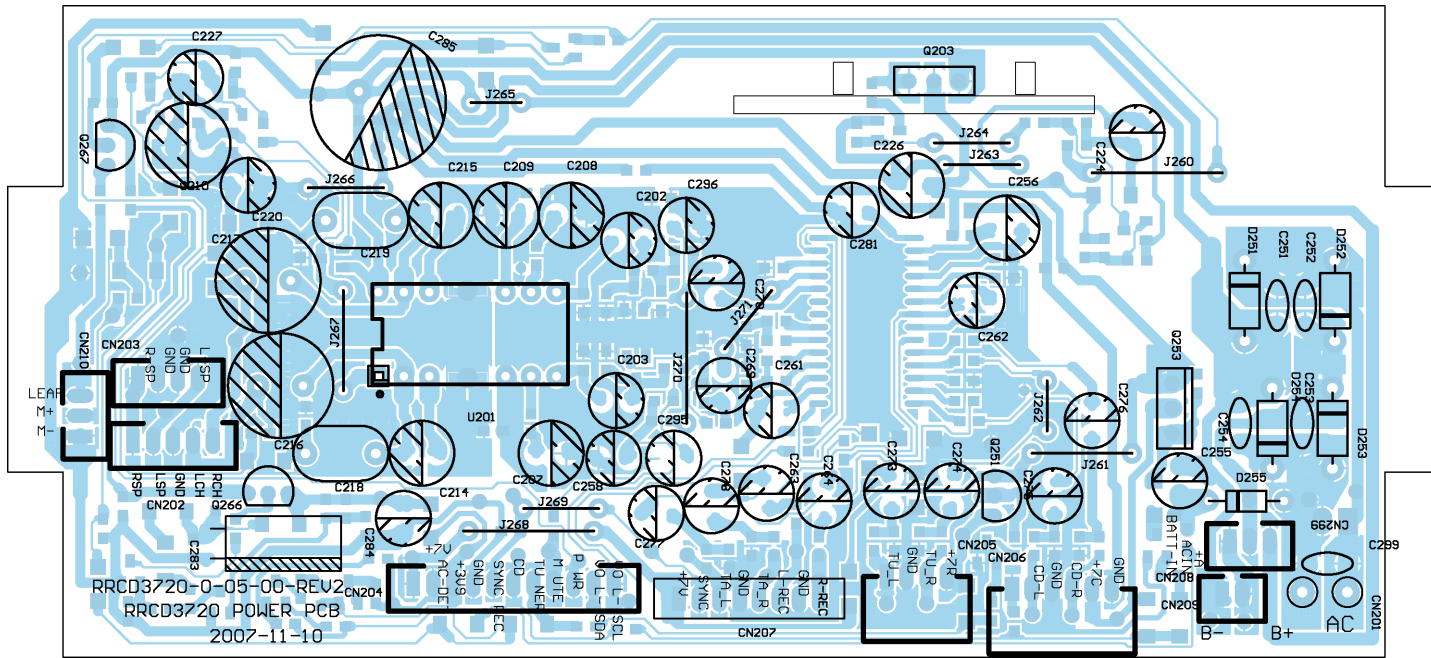
GND

CN501
GND
ST
CE
CLK
DA

DATA
GND
CLK
VDD
GND
CD
DATA

RRCD3720-0-08-00
161007 REV-1





ALIGNMENT PROCEDURE

MODEL : RRCD 3720 MP3

INSTRUMENTS REQUIRED

1. Signal Generator
2. FM Signal Generator
3. FM/AM IF Sweep Generator (10.7 MHz for FM)
4. VTVM
5. Oscilloscope
6. Frequency counter
7. Regulated DC power supply

GENERAL PREPARATION

1. Check source voltage, DC or AC according to specifications
2. Set function switch to band being aligned
3. Signal input should be kept as low as possible to avoid AGC and AFC function
4. Standard modulation :
AM 1 KHz 30% mod
FM 1 KHz 22.5 KHz dev

AM IF ALIGNMENT

STEP	SIGNAL SOURCE (AM RF Gen.) CONNECT TO	SET SIGNAL TO	ALIGNMENT INDICATOR (Oscilloscope, VTVM) CONNECT TO	SET RADIO DIAL TO	ADJUST	ADJUST FOR	REMARKS
1	A standard radiation loop	450KHz	TP4 or TP5 Detector output terminal and ground (TP6)	Quiet Point	T501	Maximum	Volume control at min. position
2	Repeat step 1 for max. output						

FM IF ALIGNMENT

This model requires no FM IF alignment as the IF is fixed by ceramic filter (CF501&CF504) and discriminator CF503. Please take note that correct type and same color dot of ceramic filter is used in servicing, diff color dot of ceramic filter may cause worse IF 'S' curve characteristic and distortion.

Connect IF genescope output terminal to TP4 OR TP5 & TP6 (GND) in series with a 1000Pf capacitor, connect scope input terminal to TP3 & TP6 (GND), then the IF characteristic curve can be observed.

ALIGNMENT PROCEDURE

MODEL : RRCD 3720 MP3

FM RF ALIGNMENT

STEP	SIGNAL SOURCE (FM Signal Gen.) CONNECT TO	SET SIGNAL TO	ALIGNMENT INDICATOR (Oscilloscope, VTVM) CONNECT TO	SET RADIO DIAL TO	ADJUST	ADJUST FOR	REMARKS
1	TP1 & TP2 through matching network if necessary	108 MHz (modulated)	Terminals across speaker voice coil	108 MHz (Highest end)	L504 (Osc. Coil) stretch or squeeze	DC 8V ±0.3V	Digital DC Volt meter is Connected to TP506 and gnd
2		87.5 MHz (modulated)		87.5 MHz (Lowes end)	NA	DC 2V ±0.3V	
3		88 MHz (modulated)		88 MHz	L501 (RF coil) stretch or squeeze	Maximum	Volume control at max. position
4		106 MHz (modulated)		106 MHz	TC 501 (RF trimmer)		
5	Repeat steps 3 and 4 as necessary to minimize tracking error and also steps 1 and 2 if necessary						

AM RF ALIGNMENT

STEP	SIGNAL SOURCE (AM Signal Gen.) CONNECT TO	SET SIGNAL TO	ALIGNMENT INDICATOR (Oscilloscope, VTVM) CONNECT TO	SET RADIO DIAL TO	ADJUST	ADJUST FOR	REMARKS
1	A standard radiation loop ant.	1622 KHz (modulated)	Across speaker voice coil	1622 KHz (Highest end)	L 505 (Osc.Coil)	DC 8V ±0.3V	Digital DC Volt meter is Connected to TP 5 and gnd
2		531 KHz (modulated)		531 KHz (Lowes end)	NA	DC 2V ±0.3V	
3		558 KHz (modulated)		558 KHz	L 503 (ant. coil)	Maximum	Volume control at max. position
4		1440 KHz (modulated)		1440 KHz	TC 503 (ant. trimmer)		
5	Repeat steps 3 and 4 as necessary to minimize tracking error and also steps 1 and 2 if necessary						

ALIGNMENT PROCEDURE FOR CD SECTION

Applicable unit :

- 1 This model is using CD drive unit No. SANYO DA11B3N
- 2 The alignment for CD section is fully automatic and no adjustment is required

ALIGNMENT PROCEDURE

MODEL : RRCD 3720 MP3

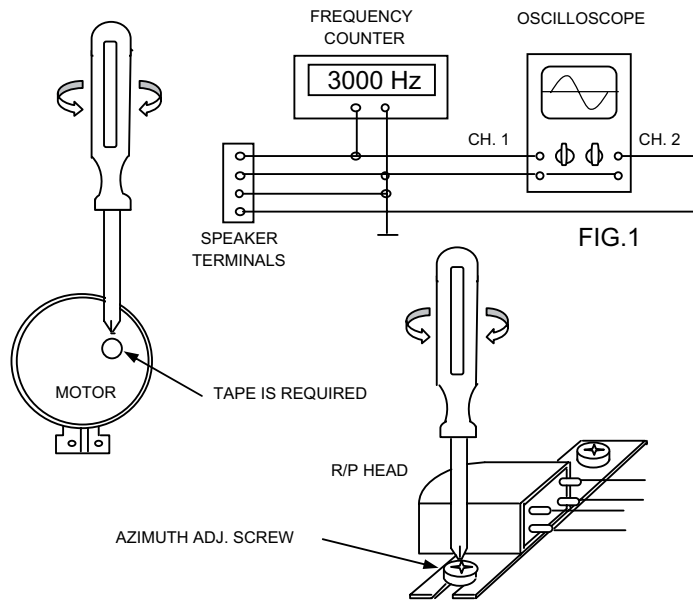
GENERAL PREPARATION - 1) Check source voltage, DC or AC according to specifications .

2) Set function switch to Tape being aligned .

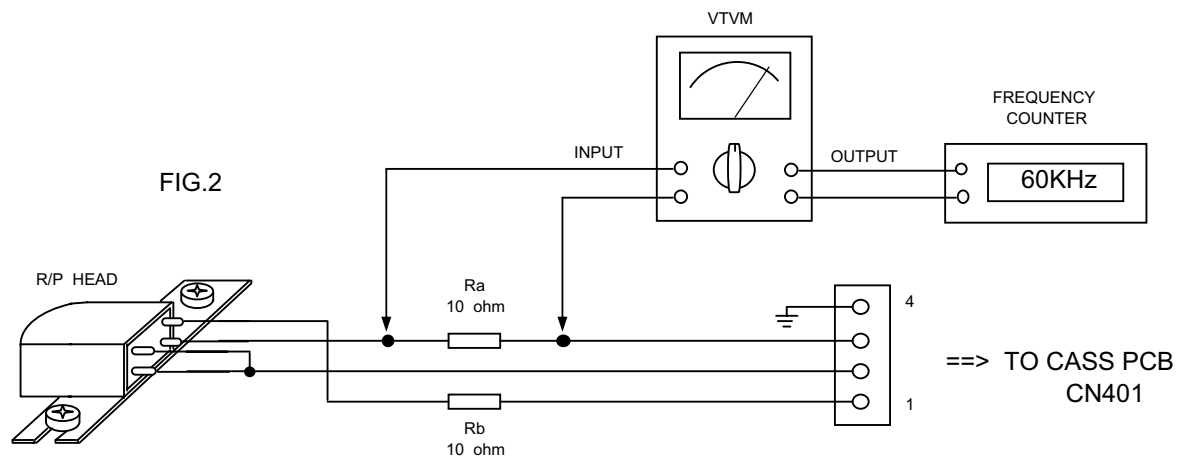
A) MEASURING INSTRUMENTS REQUIRED FOR TAPE SPEED AND HEAD AZIMUTH ADJUSTMENT.

(1) TAPE SPEED ADJUST

MTT-111 (3000 Hz) TEST ◦



B) EQUIPMENTS REQUESTED FOR AC BIAS FREQUENCY / CURRENT ADJUSTMENT :



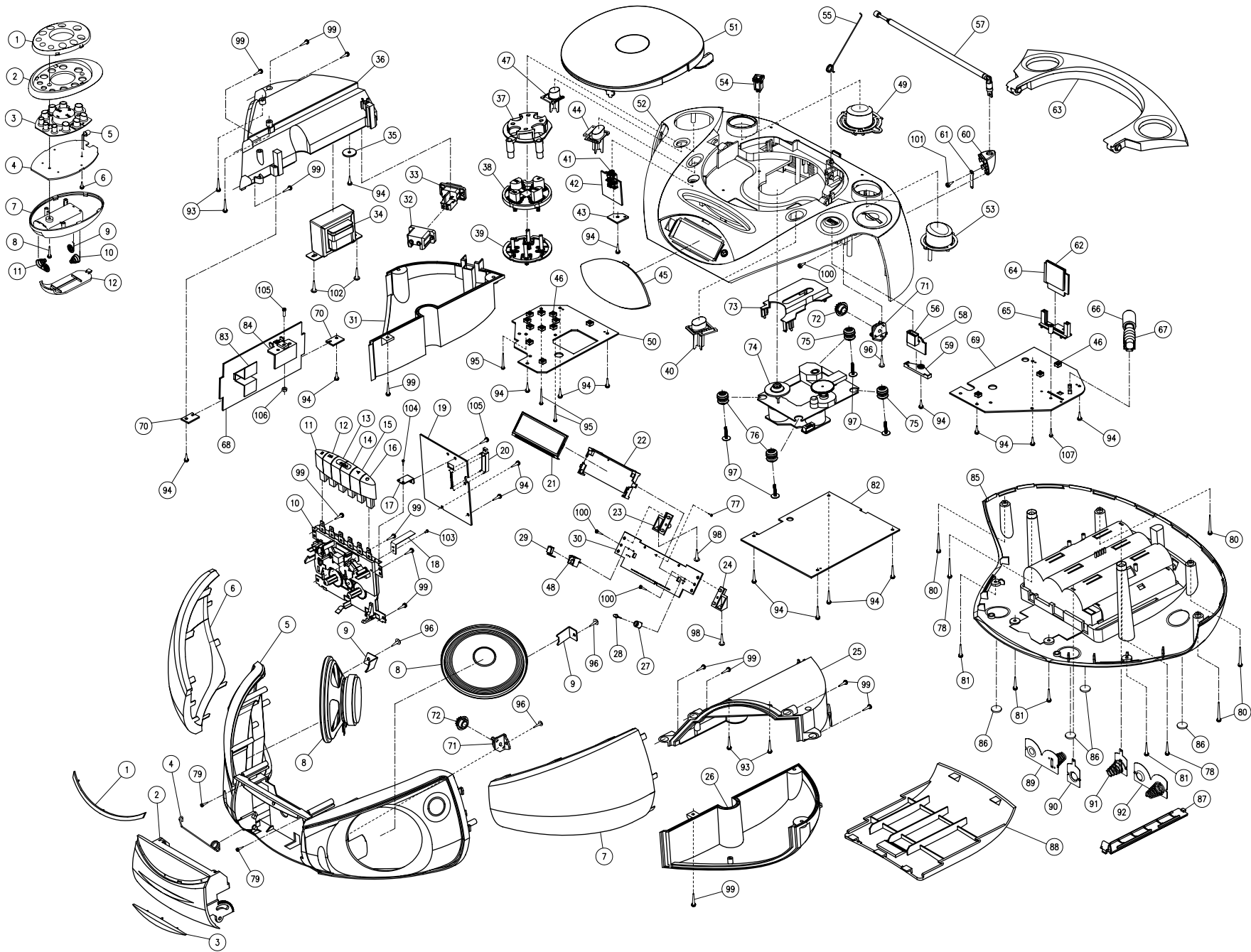
AC BIAS FREQUENCY ALIGNMENT :

Note :The test unit should be keep in recording mode and added two resistors Ra & Rb as shown in the Fig. 2 before alignment. be sure to delete the both resistors Ra & Rb after alignment completed.

(2) HEAD AZIMUTH ADJUSTMENT.

- 2.1 - Connect the equipments as shown in the Fig. 1.
(The Both Speakers loading Are Required)
- 2.2 - Insert a test tape (10 KHz : MTT-114) into deck.
- 2.3 - Press PLAY and set VOLUME at reference output.
- 2.4 - Adjust the azimuth adjustment screw for the max.
& balance ch. output on both ch. of oscilloscope.
- 2.5 - Secure above screw with glue after adj. completed.

Test Point	Adjust	Frequency at Beat 0	Frequency Observe at		Observe		
			Beat 1	Beat 2	Beat 0	Beat 1	Beat 2
Resistor Ra or Rb	L201	60KHz ± 0.3KHz					





Ersatzteilliste Spare Parts List

AUDIO

1 / 2008

RRCD 3720 DEC

BESTELL-NR. / ORDER NO.: GDS0900

POS. NR. POS. NO.	ABB. FIG.	MATERIAL-NR. PART NUMBER	ANZ. QTY.	BEZEICHNUNG 	DESCRIPTION 
		GDS0900		RRCD 3720 DEC BLACK KEIN E-TEIL	RRCD 3720 DEC BLACK NO SPARE PART
0001.000		759540384000		BATTERIEFACHDECKEL RUECKTEIL	BATTERY DOOR BACK CABINET
0002.000		759540384300		STABANTENNE	ROD ANTENNA
0003.000		759540384100		BATTERIEFACHDECKEL BACK UP	BATTERY DOOR BACK BACK UP
0010.000		720117142900		FERNBEDIENUNG	REMOTE CONTROL
0011.000		759540384200		BATTERIEFACHDECKEL FERNBEDIENUNG	BATTERY DOOR REMOTE CONTROL
				DIE BEDIENUNGSANLEITUNG KOENNEN SIE IM INTERNET UNTER FOLGENDER ADRESSE ABRUFEN: WWW.GRUNDIG.DE MENU: DOWNLOADS	THE INSTRUCTION MANUAL CAN BE DOWNLOADED FROM THE INTERNET UNDER THE FOLLOWING ADDRESS: WWW.GRUNDIG.DE MENU: DOWNLOADS
				HINWEIS! IM DEFEKTFALL NEHMEN SIE KONTAKT MIT UNSERER HOTLINE AUF	NOTE! IN THE EVENT OF A DEFECTIVE PLEASE CONTACT YOUR SERVICE

Es gelten die Vorschriften und Sicherheitshinweise gemäß dem Service Manual "Sicherheit", Mat.-Nummer 720108000001, sowie zusätzlich die eventuell abweichenden, landesspezifischen Vorschriften!



The regulations and safety instructions shall be valid as provided by the "Safety" Service Manual, part number 720108000001, as well as the respective national deviations.

ÄNDERUNGEN VORBEHALTEN / SUBJECT TO ALTERATION